

# **Quick Start User Manual Of Network Camera**



Version v1.0.0

## WELCOME

Thank you for choosing our network camera.

This manual is designed to be a reference for the installation and operation of your system. Here you can find information about this series network camera features and functions, as well as a detailed menu tree. Please read the following warnings carefully before installation and operation!

### Symbol:

Symbol	Description
 <b>WARNING</b>	Might cause heavy injury, or death. User must follow the guide very carefully.
 <b>CAUTION</b>	Might cause the user injury, device damage, or property loss. Please pay attention to them.



### WARNING

- To reduce the risk of fire or electric shock, do not expose the inner component to rain or moisture.
- To prevent injury, the products must be securely installed firmly to the wall in accordance with the installation instructions.
- Incorrectly connecting the power source may cause explosion, fire, electric shock, or damage to the product.
- Do not install the unit in humid, dusty, or sooty locations.
- If cleaning is necessary, use a clean cloth and wipe it carefully.
- If the product fails to operate normally, contact the nearest service center. Never disassemble the camera by yourself.



### CAUTION

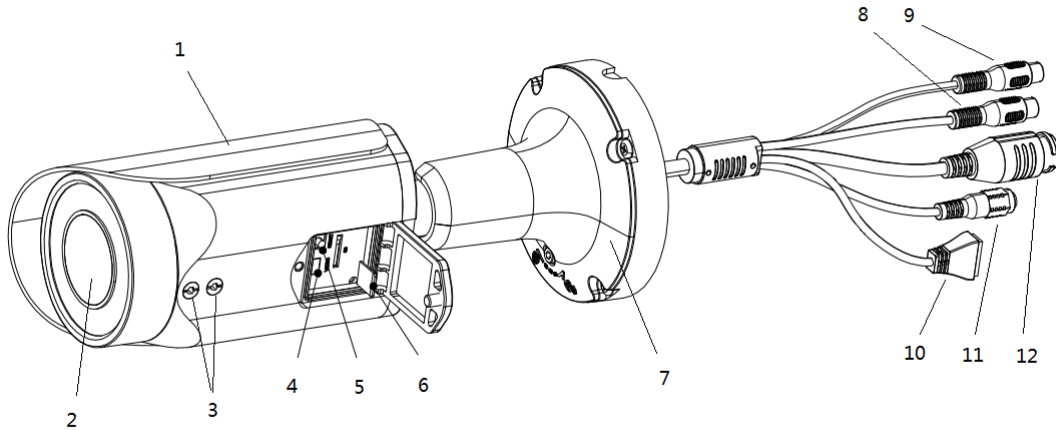
- Do not expose the product to the direct airflow from an air conditioner, it may cause moisture condensation inside the camera.
- If the camera is installed in a low-temp area such as inside a refrigerator, you must seal up the wiring pipe with silicon to avoid the moister appear inside the camera.
- Do not drop objects on the product, keep it away from a location subject to excessive vibration or magnetic interference.
- Do not install in a location subject to high temperature (over 60°C), low temperature (below -10°C), or high humidity.
- Remove the power plug from the outlet when there is a lighting storm.
- Keep it away from direct sunlight and heat radiation sources.

### **SPECIAL ANNOUNCEMENT**

- The content including in this manual refer to the most updated information, it is subject to change without prior notice.
- For any question, please contact your dealer directly.
- This guide is used to the bullet devices.

# Chapter 1 Device Structure

## 1.1 Physical structure



No.	Description
1	Sunlight cover
2	Lens
3	Zoom button
4	Video out
5	Reset button
6	TF card slot
7	Bracket
8	Audio out
9	Audio in
10	Alarm out
11	Power
12	RJ45 port

Table 1-1 the function of camera

**Note:**

- Press the “Reset” button for 10 seconds will reboot the camera to set all parameters to be default, including user name, password, IP address, port number, etc.
- This structure is just for your reference only; there might be some difference with real device.

## 1.2 Installation

### 1.2.1 Installation instructions for Bullet Cameras

Remove the package. Please check the device and ensure appearance is good, and all accessories are included.

- **STEP 1:**

Paste the label on the wall where you want to install the camera. And drill holes as the mark shows.

- **STEP 2:**

Fix the camera with screws. Shown as **Figure 2-1**.

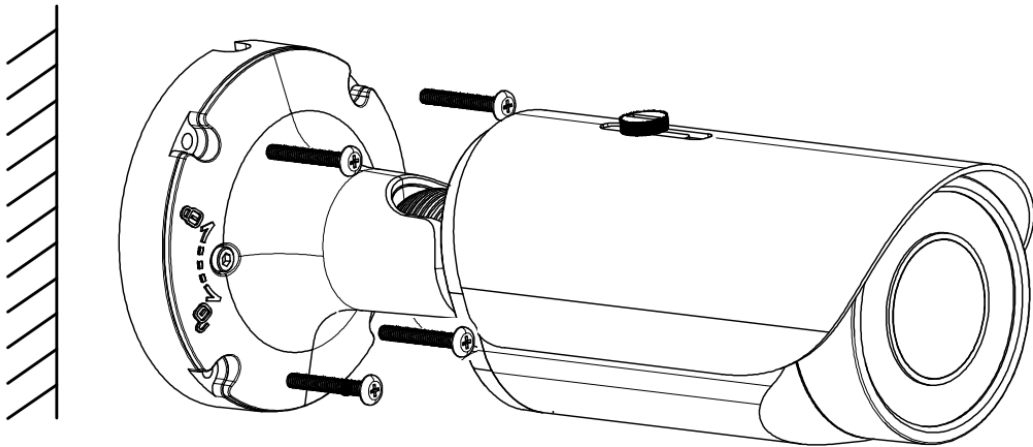


Figure 2-1 Install on the wall

- **STEP 3:**

Adjust the angle. Shown as **Figure 2-2**.

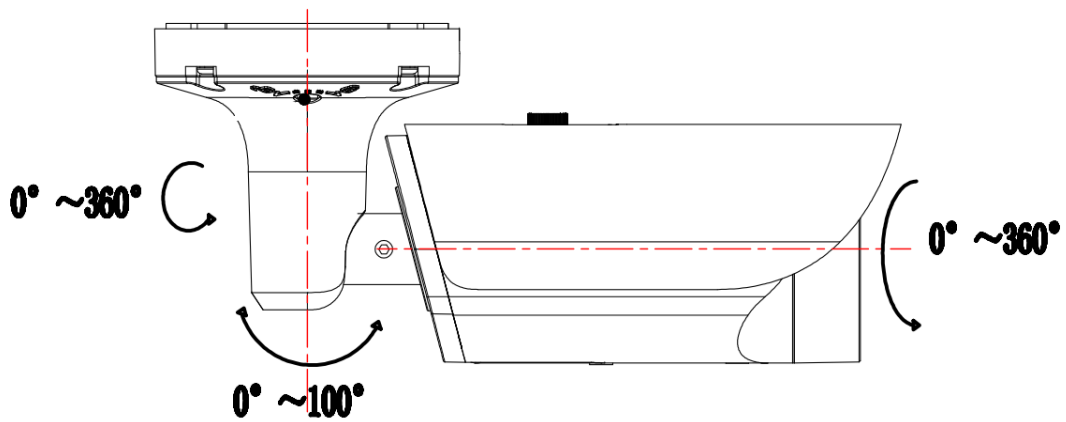


Figure 2-2 Degree adjust

- **STEP 4:**

Insert TF card and other connectors.

**Note:**

- *Make sure holes are deep enough and the screws could fix the camera tightly.*
- *Some functions are optional (such as: TF card slot, alarm out), please refer to the actual device model.*

### 1.2.2 Installation instructions for Dome Cameras

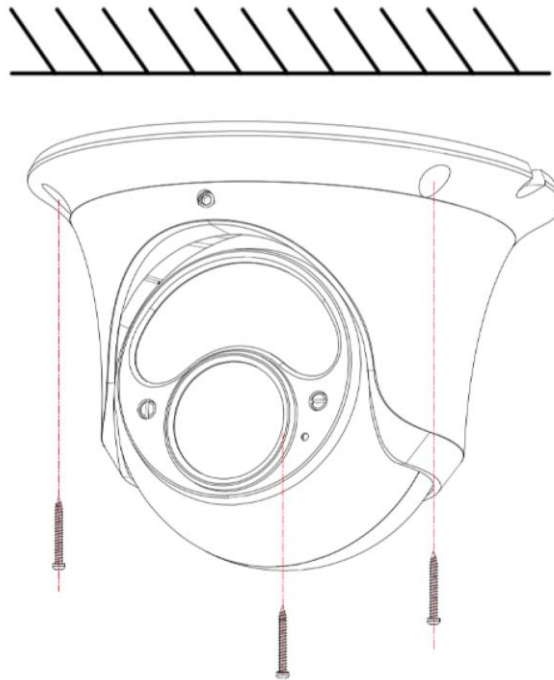
Remove the package. Please check the device and ensure appearance is good, and all accessories are included.

- **STEP 1:**

Paste the label on the wall where you want to install the camera. And drill holes as the mark shows.

- **STEP 2:**

Fix the camera with screws. Shown as **Figure 2-1**.



**Figure 2-1 Install on the wall**

- **STEP 3:**

Release the M4x8mm screw with screw driver. Shown as **Figure 2-2**.

M4x8mm screw

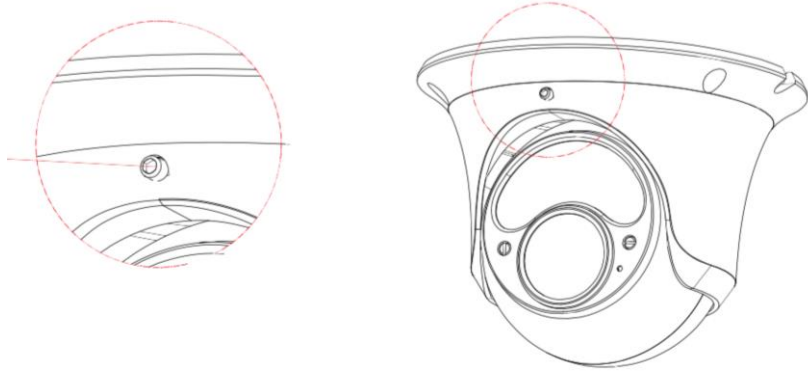


Figure 2-2 Release the M4x8mm screw

- **Step 4:** Adjust the degree of the camera, then fasten the M4x8mm screw with screw driver.

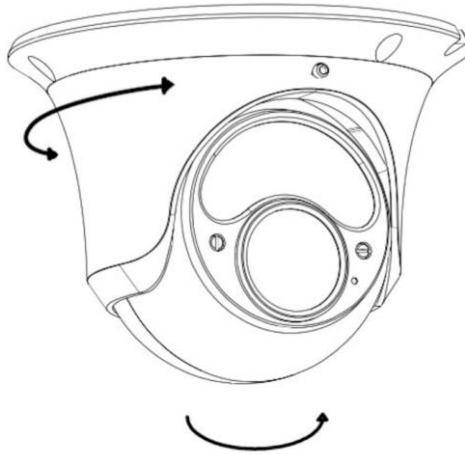


Figure 2-3 Degree Adjust

- **STEP 5:**  
Insert TF card and other connectors.

**Note:**

- *Make sure holes are deep enough and the screws could fix the camera tightly.*
- *Some functions are optional (such as: TF card slot, alarm out), please refer to the real device model.*


## Chapter 2 Quick Start

### 2.1 Search and Modify IP Address

Default IP address of cameras is 192.168.1.10. User needs to modify its IP address based on the network. We offer a *Device Manager Tool* (you can find it in CD) to help you set the address in a convenient manner.

**How to use the GW Device Manager:**

- **STEP1:**

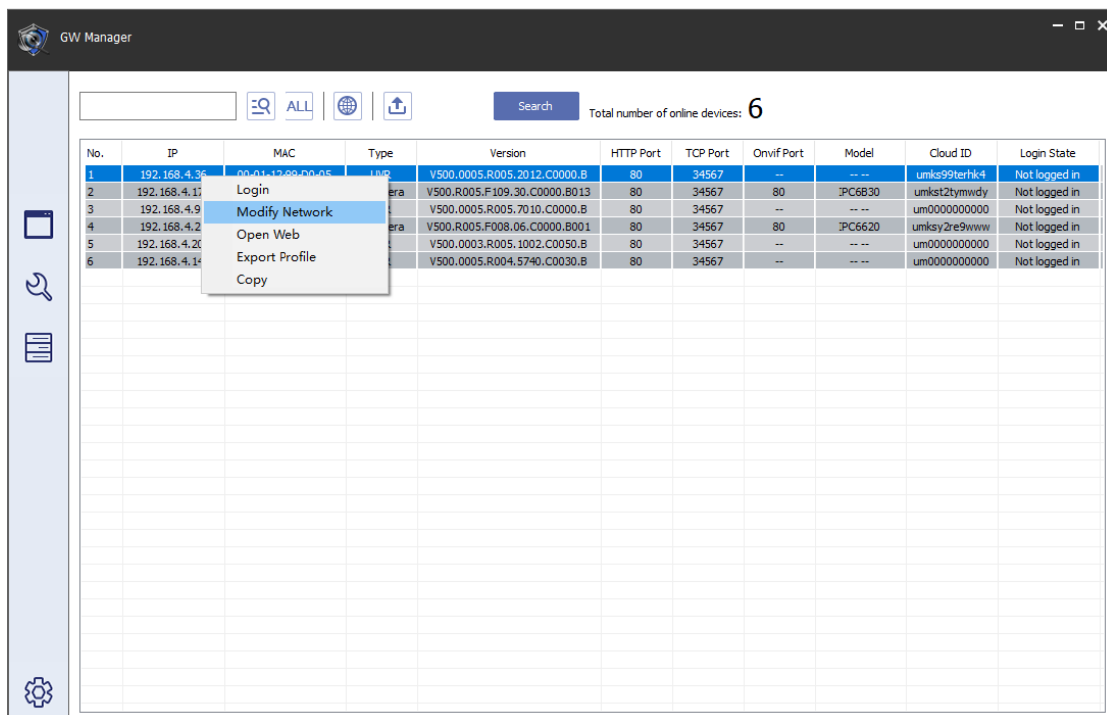
Click the Device Manager shortcut  to run the GW Manager.

- **STEP 2:**

Click the Search button to find all the network camera IP address in the LAN.

- **STEP 3:**

Right click the camera that you intend to modify and choose Modify Network. See the page as below **Figure 3-1**:



**Figure 3-1 GW Manager Interface**

- **STEP 4:**

Fill in the password and change the IP address then click the *Modify button*. It also is enable to modify the HTTP and TCP port. Shown as **Figure 3-2** and **Figure 3-3**.



# Quick Guide Of Network Camera

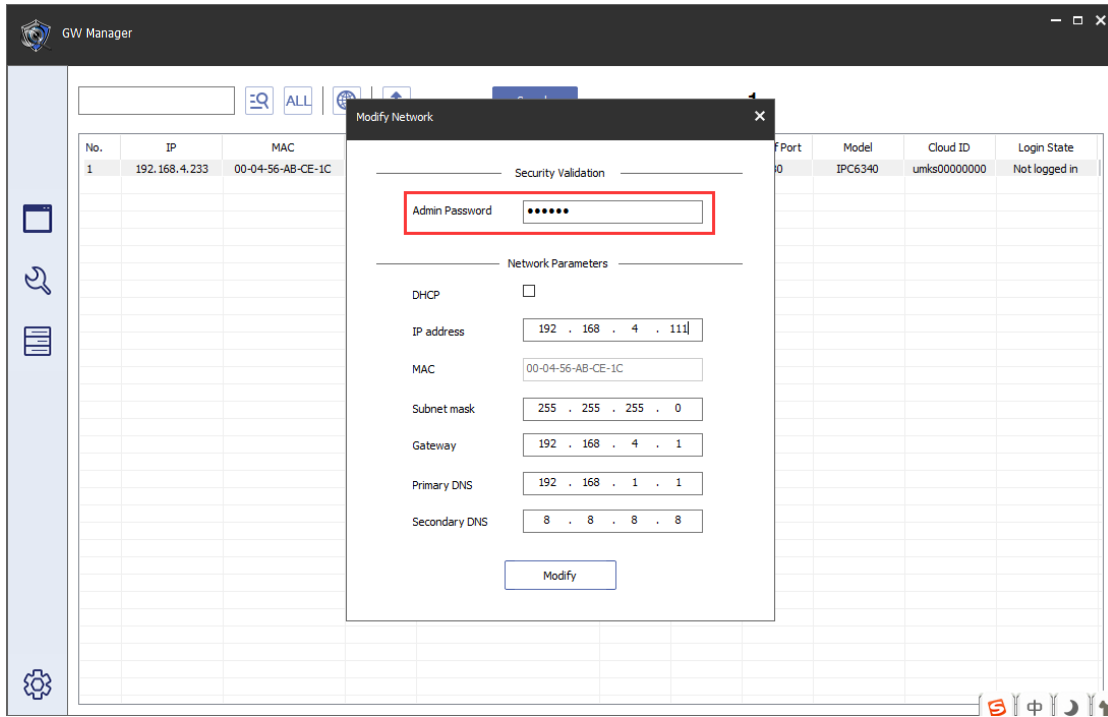


Figure 3-2 Modify IP

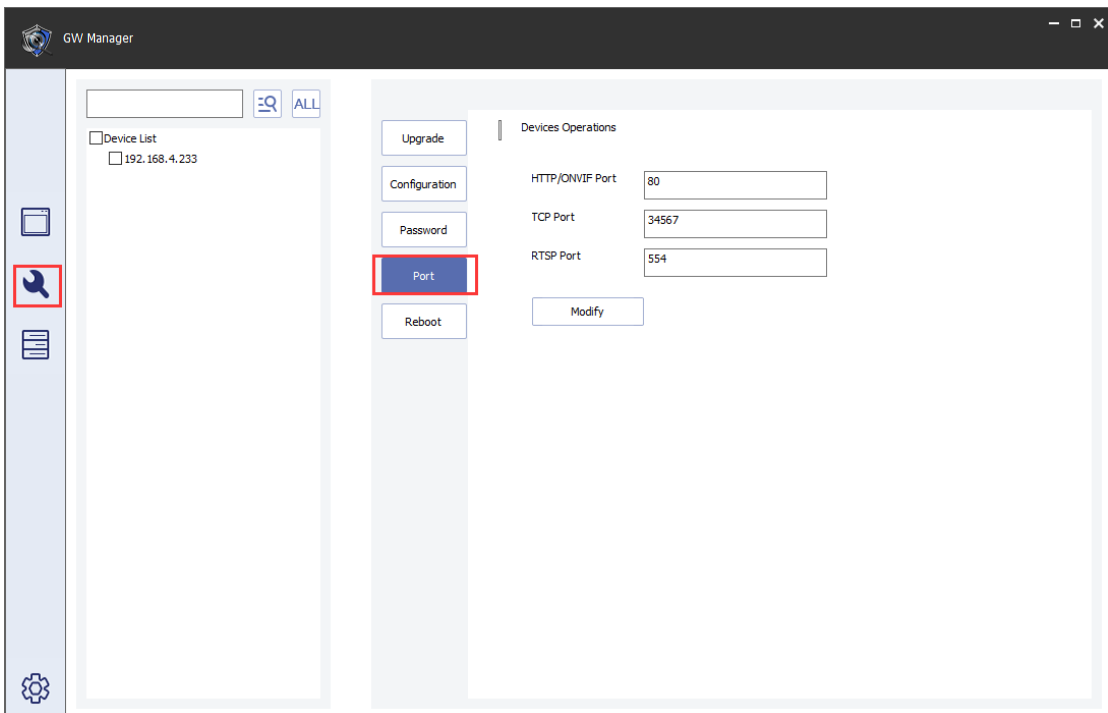


Figure 3-3 Modify port

**Note:**

Please change port very carefully and make sure the port does not conflict with others.

## 2.2 Accessing by Web Browsers

Our network cameras support multi browsers, such as IE, Safari etc. Here we take IE as an example.

- **STEP 1:**

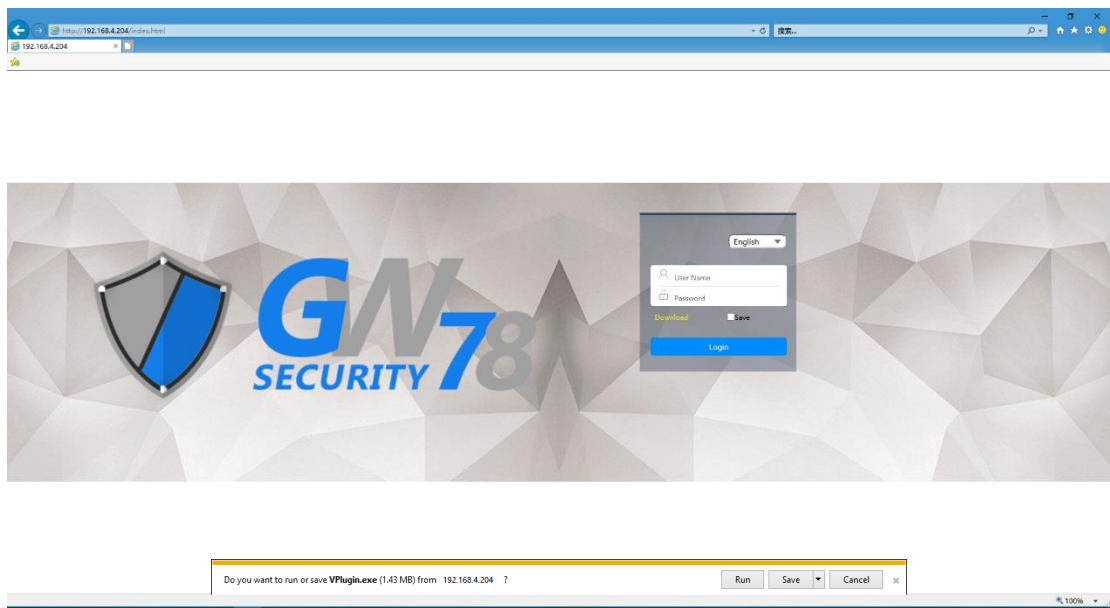
Browse the network camera IP address.

- **STEP 2:**

User should install the plug-in in the first-time-login. You can find it in CD or download from login page.

- **STEP 3:**

Run Add-on as **Figure 3-3**.



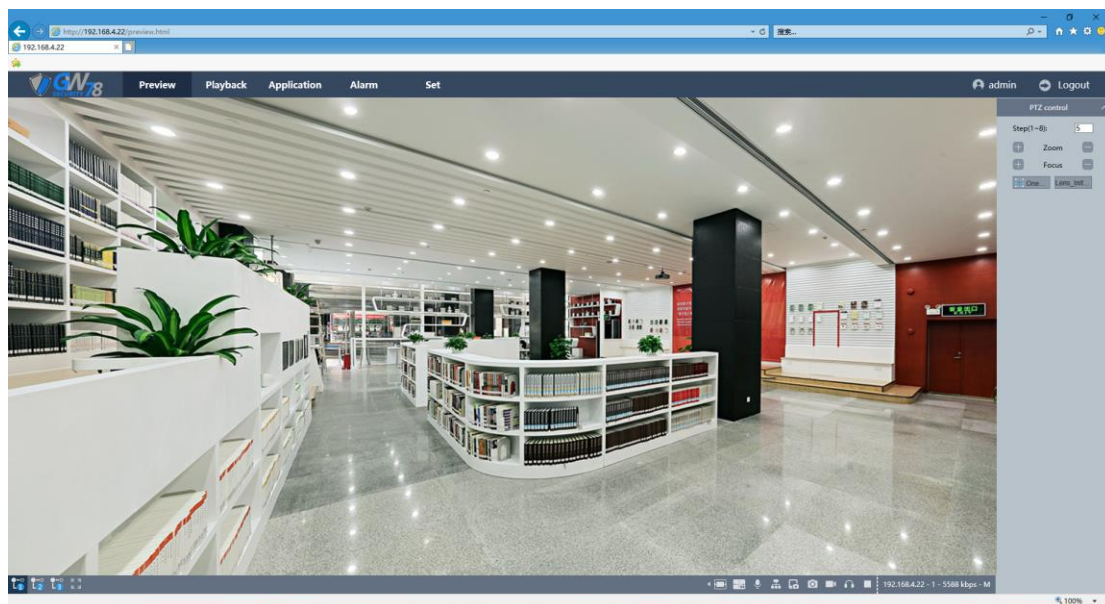
**Figure 3-3 Login Interface**

- **STEP 4:**

Login with user name and password. (The default username is “admin”, the password is 888888)

- **STEP 5:**

Preview interface is shown as **figure 3-4**. For more details please refer to “**User Manual of Network Camera**”.



**Figure 3-4 Preview Interface**

**Note:**

- You may have to close the web browser to install the plug-in. After the installation, please open the browser again.
- For the security, we recommend you change the admin's password after first-time-login.